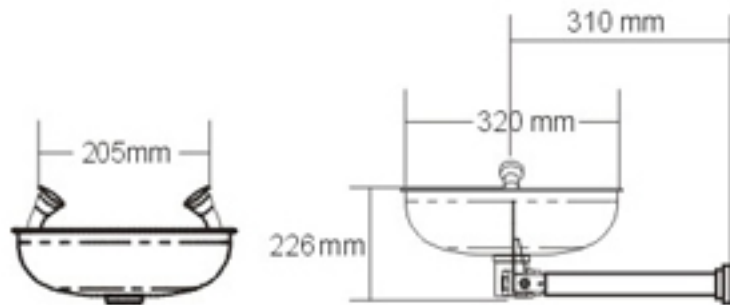


# GALVANIZED STEEL

SS-B100



## Specification:

1. Bowl: High quality stainless steel 304.
2. Valve: Eye washer valve is making of ½" stainless steel 304 ball valve.
3. Water supply & outlet: 1" IPS
4. Water working pressure: 0.2MPA-0.8MPA
5. Flow control: 76L/Min
6. Original water: Clean water or leached water.
7. Activation: Eye washer is activated by flag handle.
8. Package: Carton size: 52x32x30cm  
1 set per export carton  
G.W. : 3.5kg N.W. : 2.5kg

Meets  
ANSIZ358.1-2004